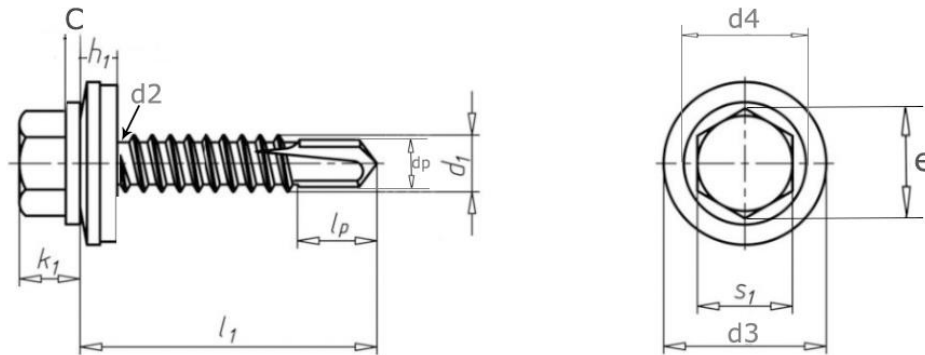


天津鑫锐丰科技有限公司 TIANJIN XINRUIFENG TECHNOLOGY CO., LTD

NAME: HEX SELF DRILLING SCREW WITH EPDM WASHER
 HEAD & WASHER COLOR: N/A
 MATERIAL: SAE1002

SIZE: 4.8*19MM
 FINISHED: RUSPERT, 1000 HRS
 P/N: 47210-4.8-19



LENGTH (L1)	18-20MM	HEAD SIZE (S1)	7.78-8MM
MAJOR DIAMETER (d1)	4.62-4.8MM	CROSS FLATS(e)	8.71MM
MINOR DIAMETER (d2)	3.43-3.58MM	HEAD THICKNESS(k1)	3.9-4.1MM
PITCH	1.81MM	FLANGE THICKNESS (c)	0.9MM
POINT LENTH (lp)	PT #2, 5.7-6.7 MM	FLANGE DIAMETER(d4)	10.3-10.5MM
POINT DEAMETER(dp)	3.9-4.1MM	WASHER	GRAY WASHER 16MM
TORQUE STRENGTH	6.9 N*m	WASHER THICKNESS (h1)	METAL 0.8MM + RUBBER 3MM
SURFACE HARDNESS	600-700 HV	CORE HARDNESS	340-400 HV